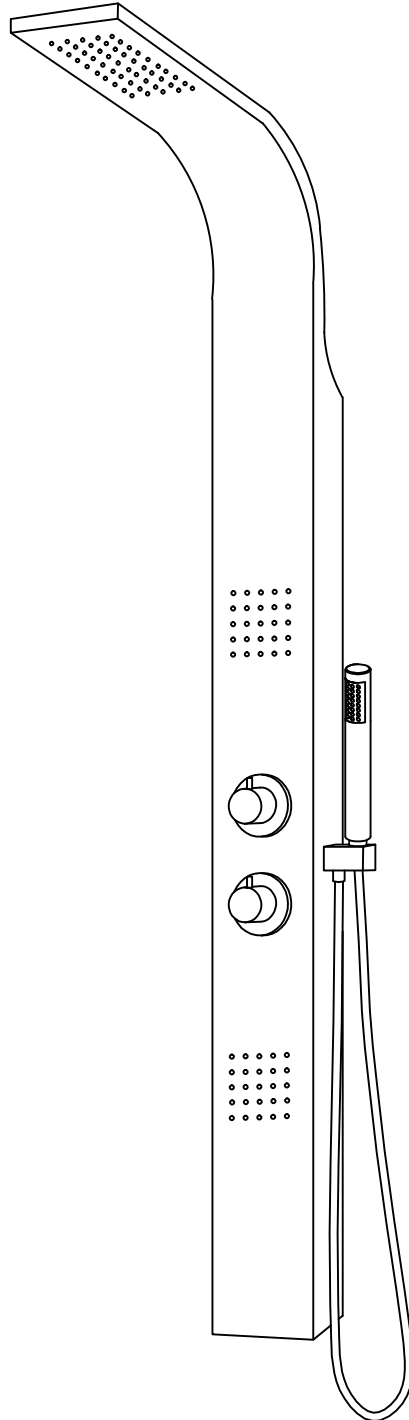


## Installation Instructions

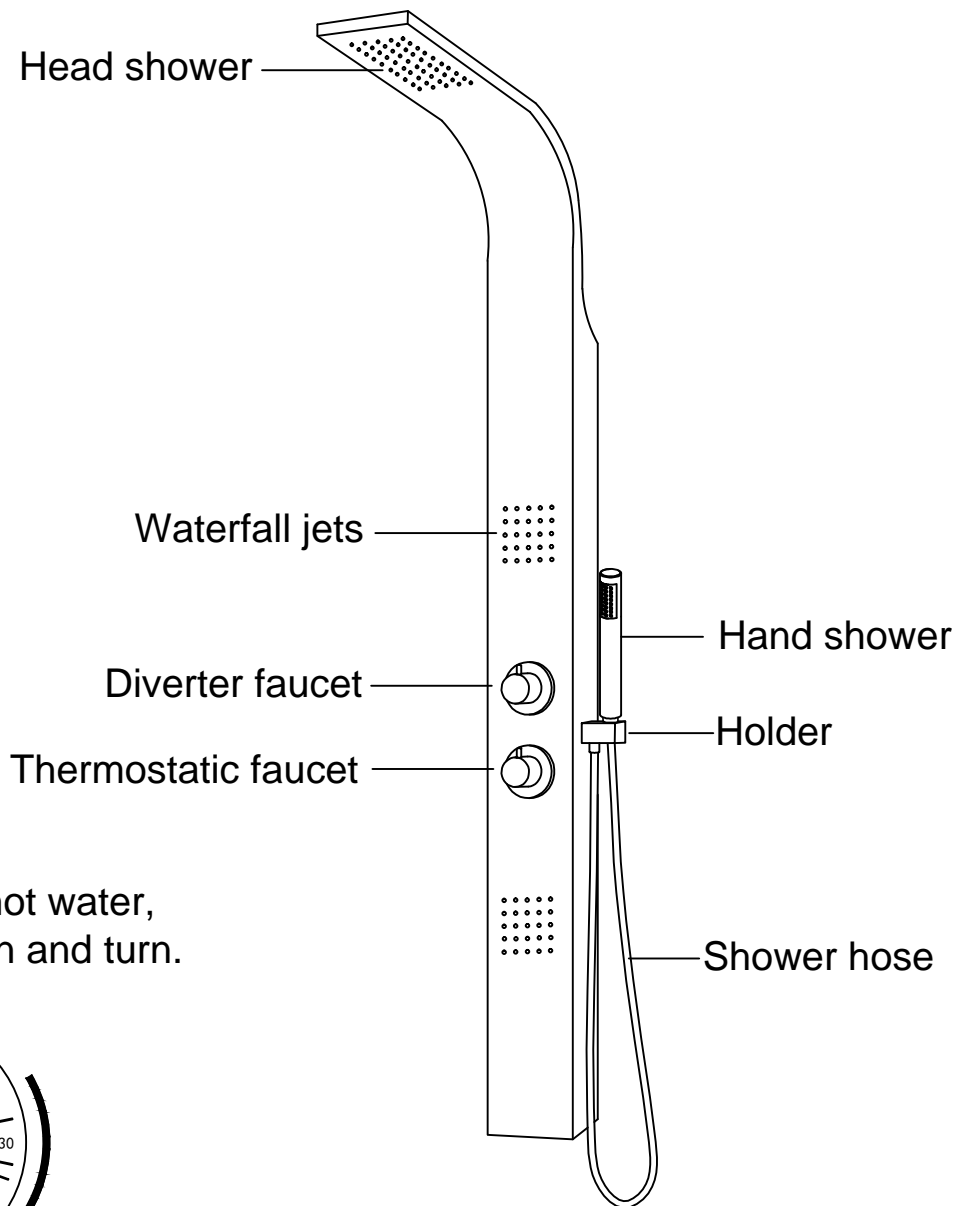


**Model: S980**

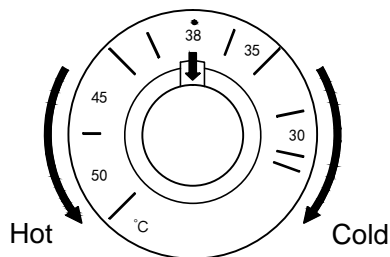
Helpline : 01452 317890

Mon-Fri : 8am to 5pm

Technical@eastbrookco.com



If you want to higher hot water, please push the button and turn.



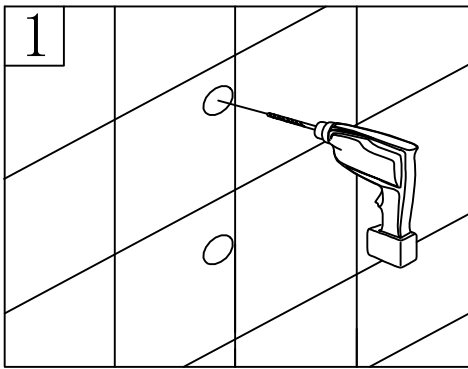
Optimal pressure: 0.5 - 5 bar.

The supply of Cold water temperature: 4-29°C, the supply of hot water temperature 55-58°C.

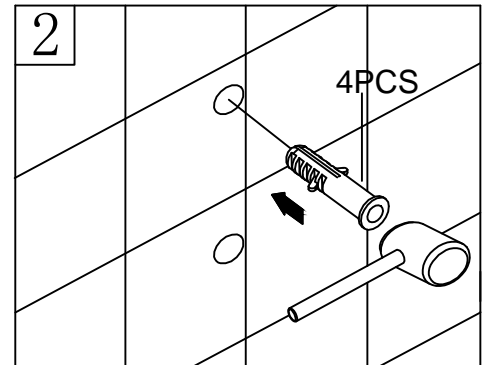
To avoid the differential pressure between hot water and cold water, the thermostatic cartridge is preferably under the condition of water pressure 3 bar, hot water 65°C and cold water 15°C.

**Note:** Please install the shower by a fully qualified fitter.

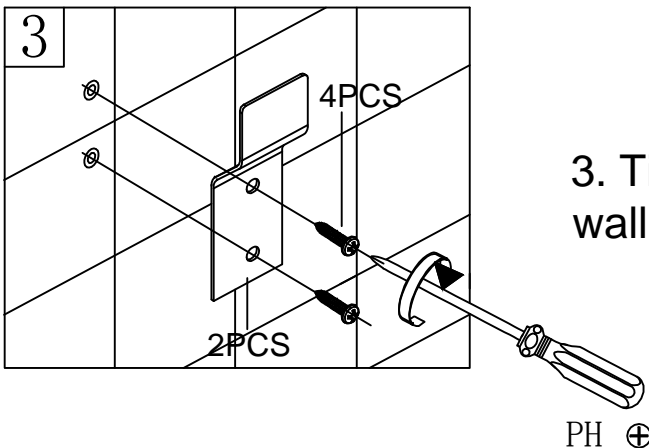
**Steps:**



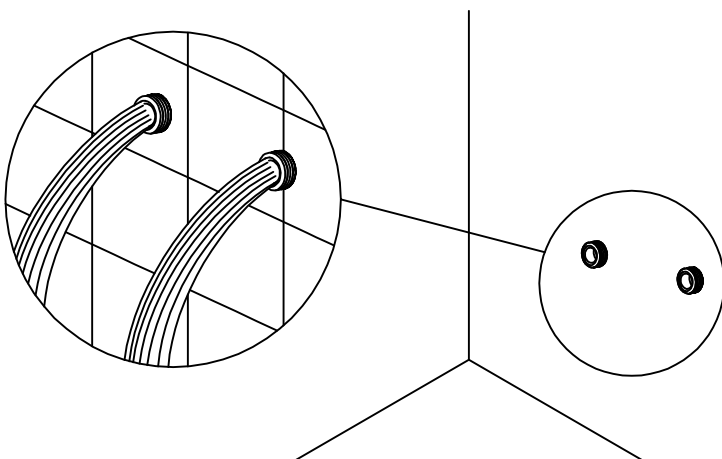
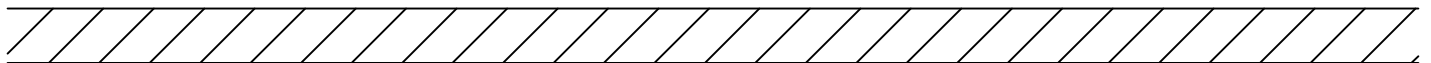
1. Drill the holes in the wall.



2. Insert the wall plugs inside the holes.

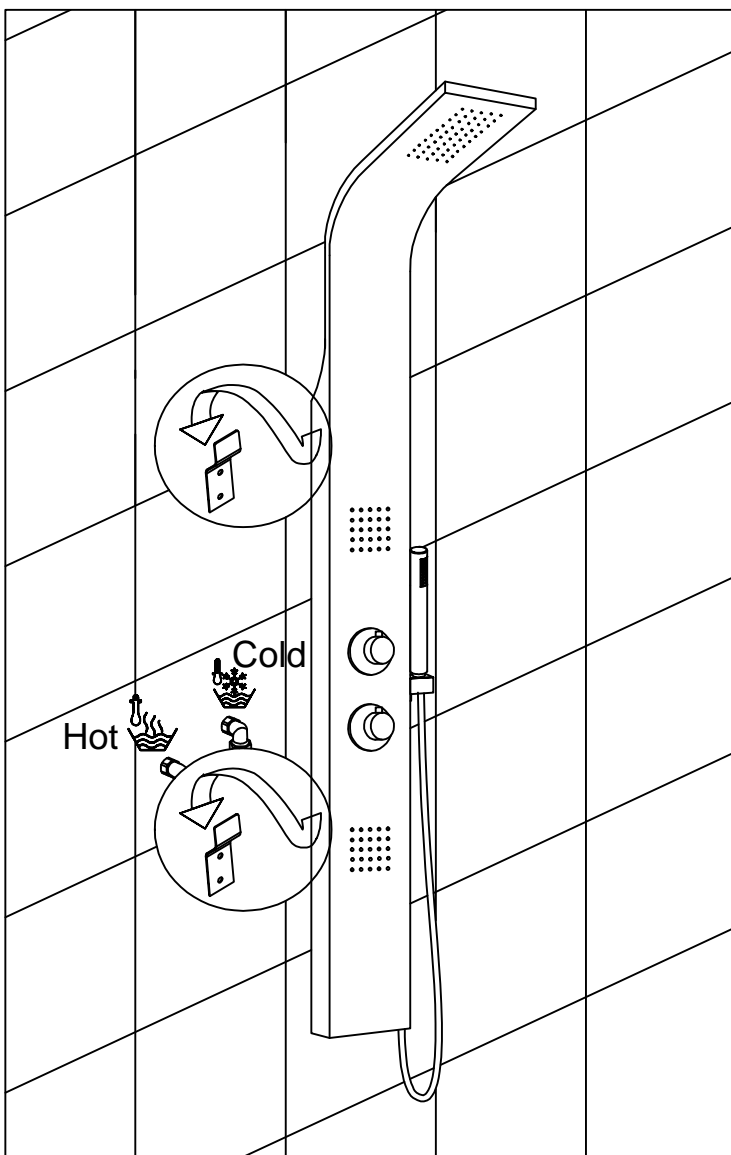
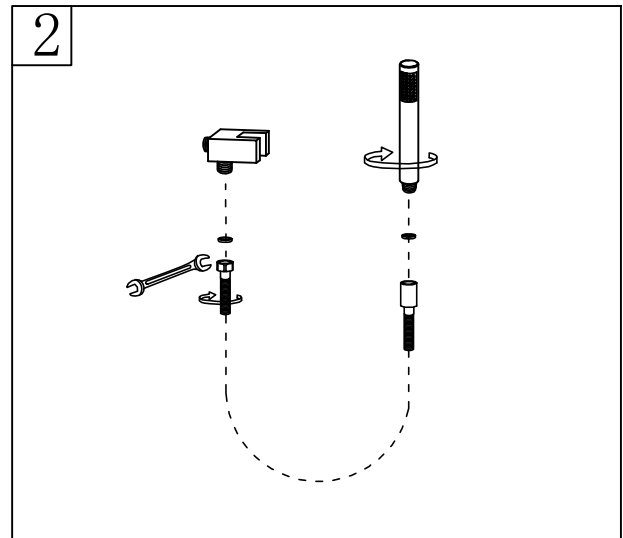
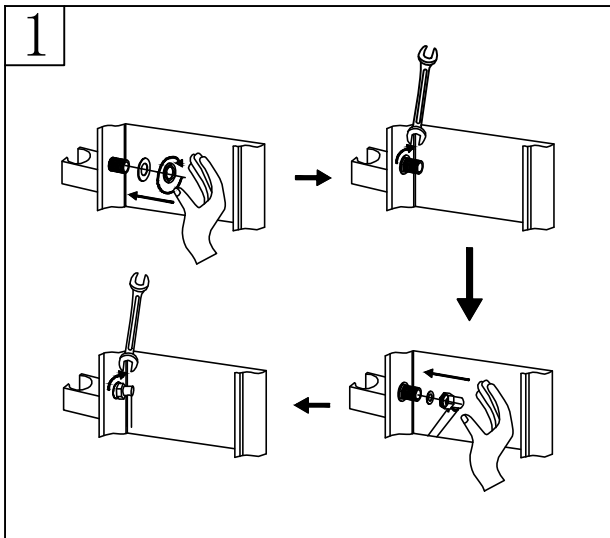


3. Tighten the screws to the wall with wall mounting brackets.



Before assembly, flush the water supply pipes thoroughly to remove debris (allow the water to run with the main stopcock open for about 3 mins), otherwise dirt particles might affect the function of the shower panel!

## Steps:



Hang the shower on the wall.

**Note:** No harsh abrasive cleaning agents or materials can be used, use a clean damp cloth only.