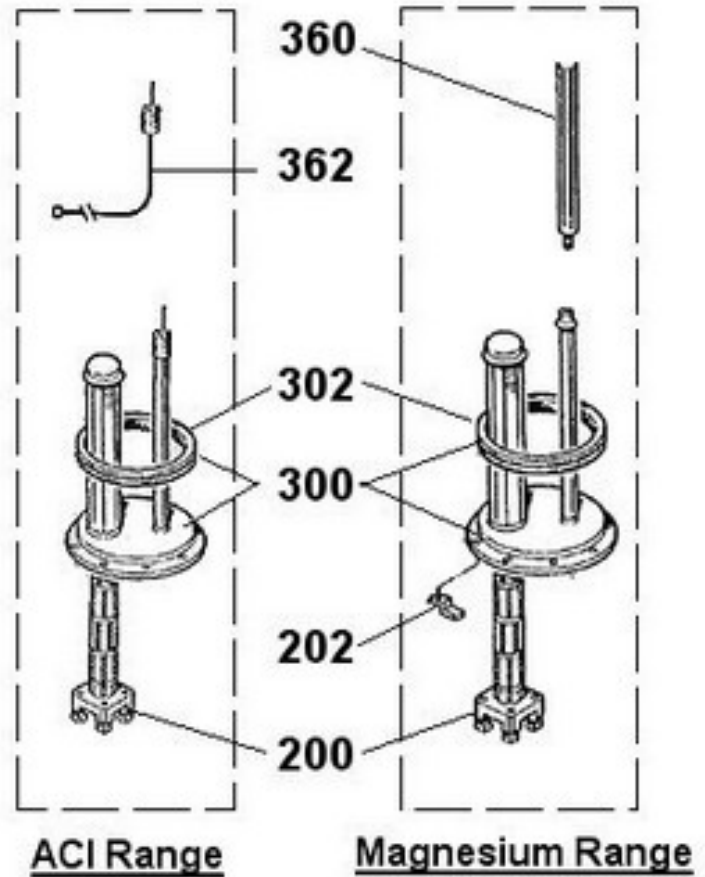
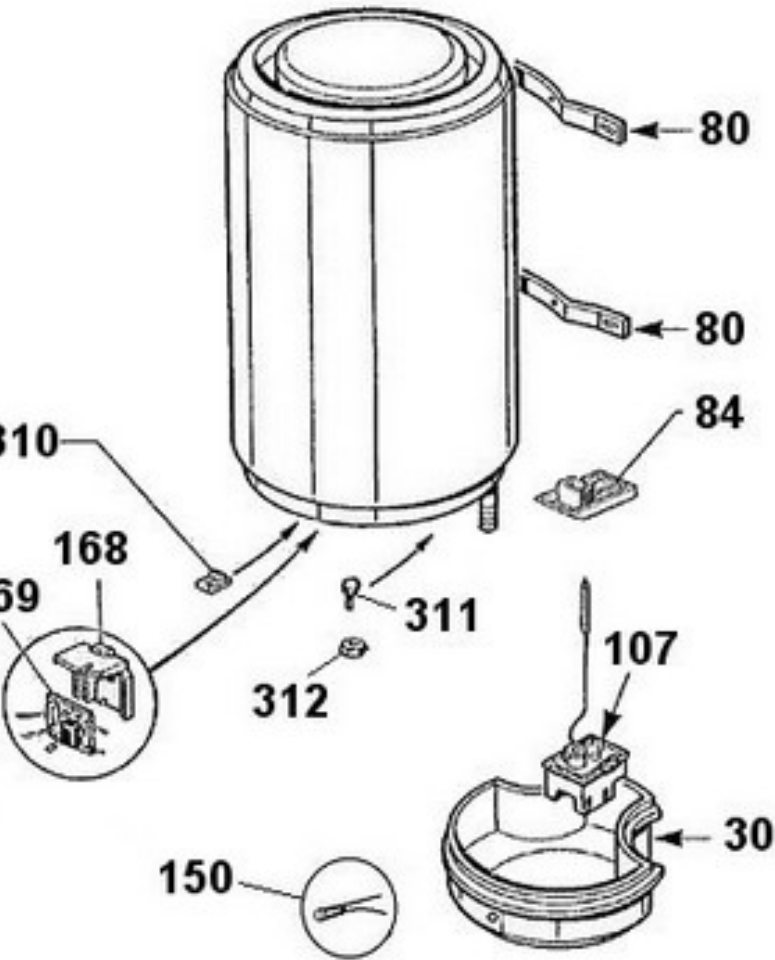


Week 11/2006: ACI -> Magnesium

Atlantic

| Reference | Power(W) | Voltage (V) | capacity / size | Color | |
|-----------|----------|-------------|-----------------|-------|---|
| 851107 | 2400 | 230 | 75 | | B |



| Repère | Libellé | Period | B |
|--------|------------------------------------|----------|--------|
| 30 | PLASTIC COVER | 06.11-> | 022286 |
| 30 | WHITE PLASTIC COVER | ->06.11 | 022279 |
| 80 | WALL BRACKET | ->01.50 | 022166 |
| 80 | WALL BRACKET | 01.49 -> | 022308 |
| 84 | WALL PATTEN | | 022280 |
| 107 | THERMOSTAT WITH 2 BULB L450 | | 070191 |
| 150 | INDICATOR LIGHT | 06.11-> | 020049 |
| 168 | PLASTIC ELECTRONIC CARD SUPPORT | ->06.11 | 040242 |
| 169 | ELECTRONIC CARD ACI (ONLY) | ->06.11 | 040239 |
| 200 | CERAMIC HEATING ELEMENT 2400W 230V | | 060179 |
| 202 | HEATING ELEMENT FIXING CLAMP | | 026041 |
| 300 | PROTECTION SLEEVE + GASKET | 06.11-> | 040159 |
| 300 | PROTECTION SLEEVE + GASKET | ->06.11 | 040227 |
| 302 | LIP GASKET | | 040158 |
| 310 | CAGED NUT | ->02.06 | 026020 |

| | | | |
|-----|---------------------------|---------|--------|
| 311 | FLANGE FIXATION SCREW HM8 | 02.05-> | 026063 |
| 312 | FLANGE FIXATION NUT HM8 | 02.05-> | 026064 |
| 360 | ANODE | 06.11-> | 040208 |
| 362 | ANODE ACI + STOPPER | ->06.11 | 040374 |