

Modern Stainless Steel Grab Bars

AP5061**MT*

AP5062**MT*

AP5063**MT*

AP5064**MT*



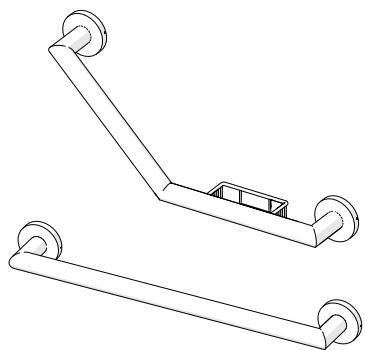
ALWAYS CHECK THE PACKAGING FOR FIXINGS AND PARTS BEFORE RECYCLING OR DISPOSAL.

ENSURE YOU HAVE ALL THE FIXINGS AND PARTS BEFORE ATTEMPTING TO ASSEMBLE OR FIT THIS PRODUCT.

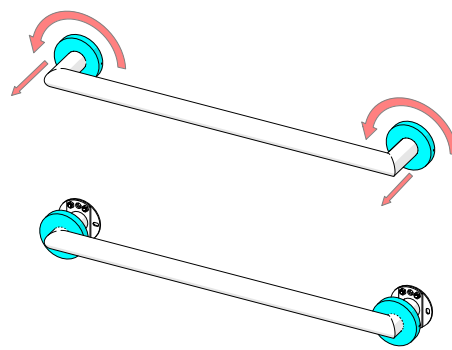
SAFETY & CARE

1. Always take care when using power tools, particularly if there is any water in the working area.
2. For different wall types you will need to ensure that you are using the correct type of fixing for the material of the wall. Wall fixings are not supplied with this product.
3. This product must only be fitted to solid brick, concrete block walls or similarly strong materials offering appropriate support for the maximum safe working load.
4. When drilling into a tiled surface do not use a hammer drill.
5. Always use a drill bit that is suitable for the surface that is being drilled.
6. To retain the best quality finish, clean product regularly with a soft damp cloth.
7. Do not use abrasive or chemical cleaners, as these will damage the product.
8. The maximum safe working load for the product is 100kg distributed evenly.
9. Always wear suitable eye protection when drilling.
10. Always use a Residual Current Circuit Breaker (RCCB).

This leaflet is applicable to both angled and straight grab bars.



- 1 Twist to release the covers from the wall brackets.



CONTACT DETAILS

UK: Metlex, Central Way, Andover,
Hampshire, SP10 5AW, UK

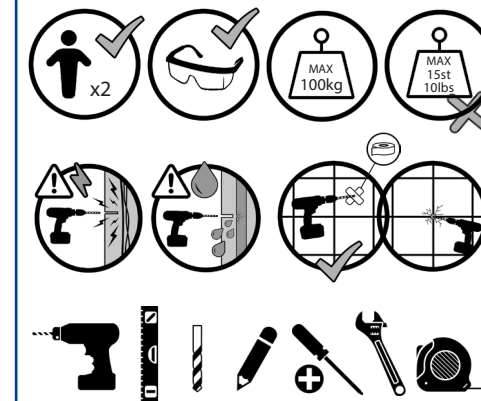
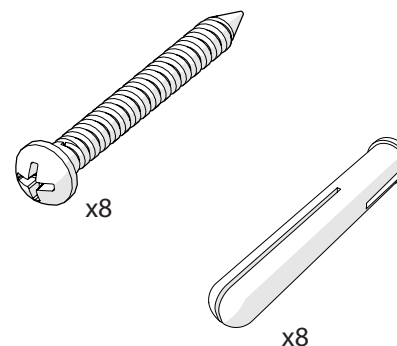
EU: MIL, Unit 8, Purcellsinch Ind Est,
Dublin Road, Kilkenny, R95 HP71, Ireland

Tel: +44 (0)1264 365881

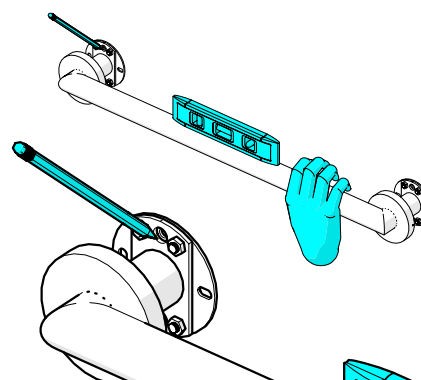
Email: info@metlex.co.uk

www.metlex.co.uk

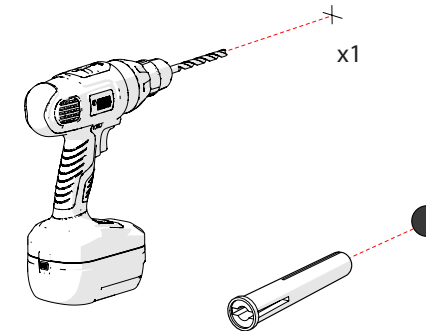
FITTING PACK NOT SUPPLIED



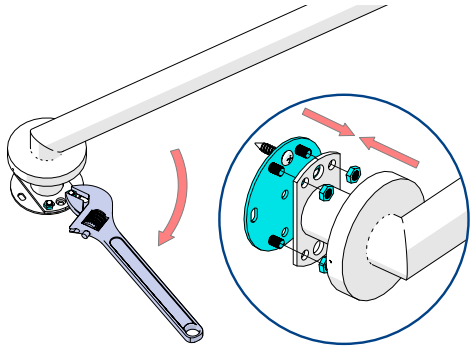
- 2 Hold the grab bar in position, ensure it is level and mark the top hole on one of the wall brackets.



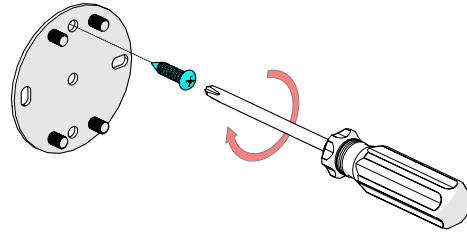
- 3 Use a drill to create a screw hole where you have marked and insert a wall plug.



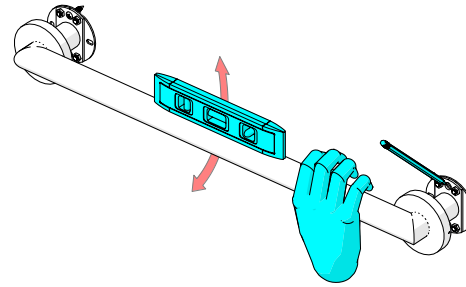
4 Remove and retain hexagonal nuts securing the wall plate and the wall bracket together on only one side of the grab bar.



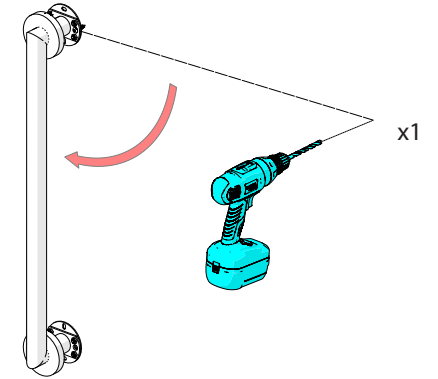
5 Mount the wall plate onto the wall. Do not insert the screw fully.



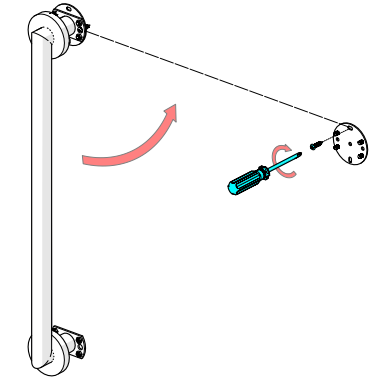
6 Rest the grab bar onto the mounted wall plate and rotate until the grab bar is level. Once level mark the top screw hole on the other wall bracket.



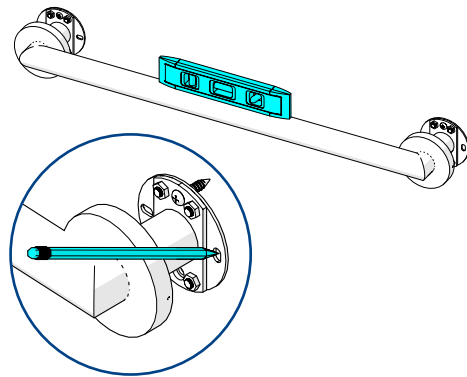
7 Allow the grab bar to rotate and then drill the screw hole and insert another wall plug.



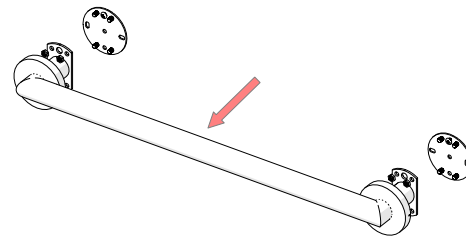
8 Screw the wall plate into the wall and then lift the grab bar onto the mounted wall plate.



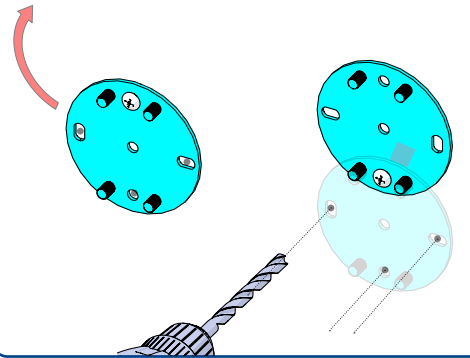
9 Verify that the grab bar is level and mark the remaining 6 screw holes.



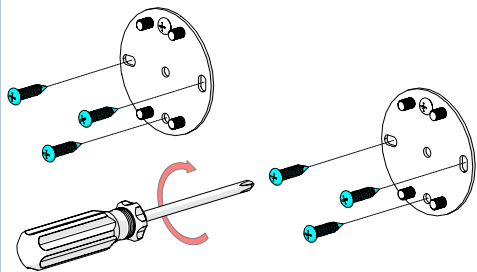
10 Remove the grab bar from the wall plates.



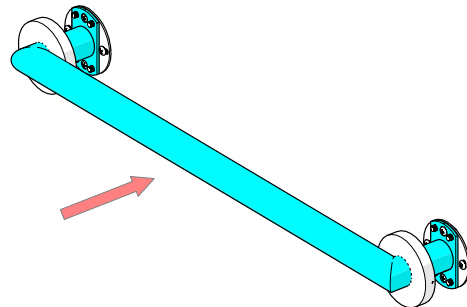
11 Rotate the mounted wall brackets and drill out the remaining screw holes. Once drilled insert wall plugs into the screw holes.



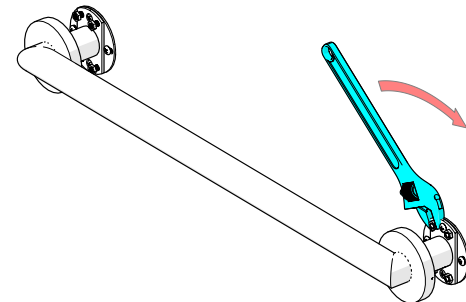
12 Screw both of the wall plates into position.



13 Place the grab bar onto the studs on the mounted wall plates.



14 Tighten the grab bar to the wall plates using the hexagonal nuts which were removed earlier.



15 Push and rotate to secure the covers in place. Ensure you test the product before use.

